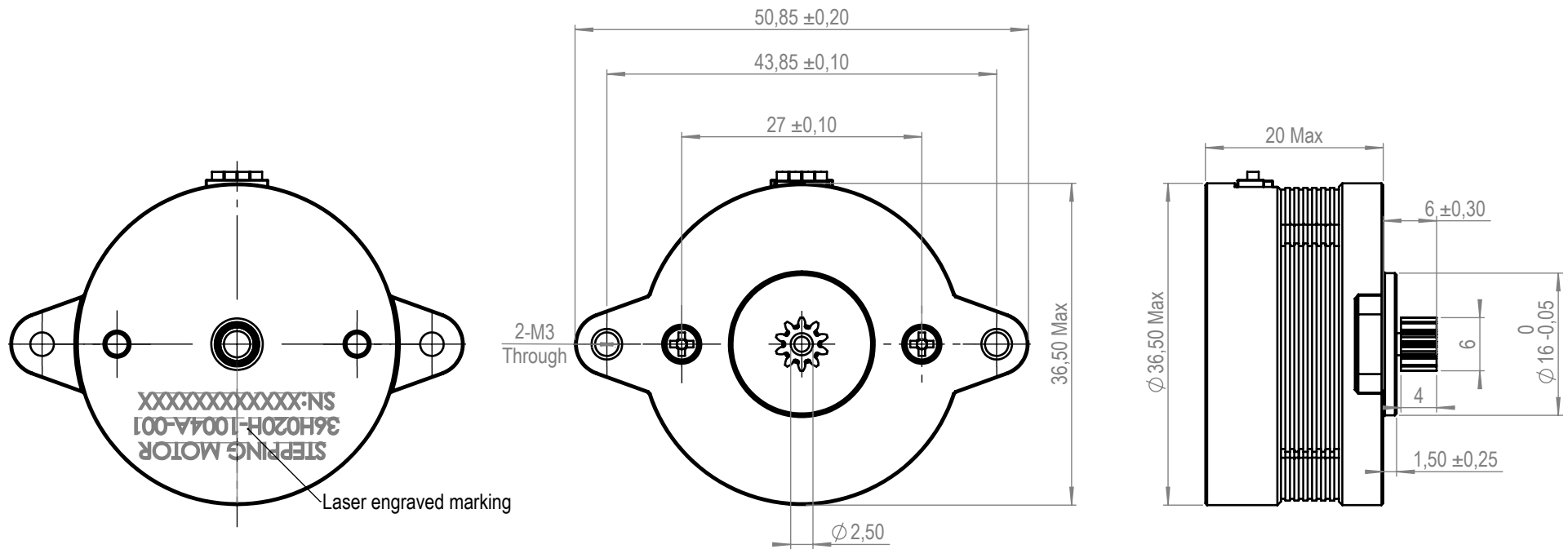


# #hybrid stepper motor 36H020H-1004A-001



## SPECIFICATIONS

Step Angle	1.8°±5%
Number of Phase	2
Rated Voltage	2.37 V
Rated Current/Phase	1.0 A (Peak Value)
Holding Torque	0.9 kg-cm Min.(1)
Detent Torque	- g-cm (Ref.)
Phase Resistance	2.37 Ω±10%(20°)
Phase Inductance	1.2 mH±20%(1kHz 1V RMS)
Dielectric Strength	AC 500V/ 1min / 5mA Max.
Rotor Inertia	6 g-cm <sup>2</sup>
Weight	92 g
Insulation Class	H (180°) ; 125K Max.

## COMMENTS

Holding torque testing: two phase on/rated current;  
 Ambient temperatures: -20° ~ +50°  
 Dynamic axial load: 2.6N Max.;  
 Dynamic radial load: 5.7N Max.@20mm Shaft length 20mm;  
 Reliability: MTBF 6000 MTBF 6000 hours or more.@24V/300RPM;

## GEAR SPECIFICATIONS

Module	0.5
No. of tooth	10
Pressure angle	20°
Pitch diameter	Ø 5
Addendum circle diameter	Ø 6
Base tangent length	2.284 <sup>-0.01</sup> / <sub>0.005</sub>
Number of teeth spanned	2
Precision grade	GB/T10095-1-2001 8
Material	40Cr+Quench HRC36-42



NAME Nema14 Round Stepper  
 20mm Ø36mm  
 TYPE Hybrid Stepper Motor  
 SKU 13013A